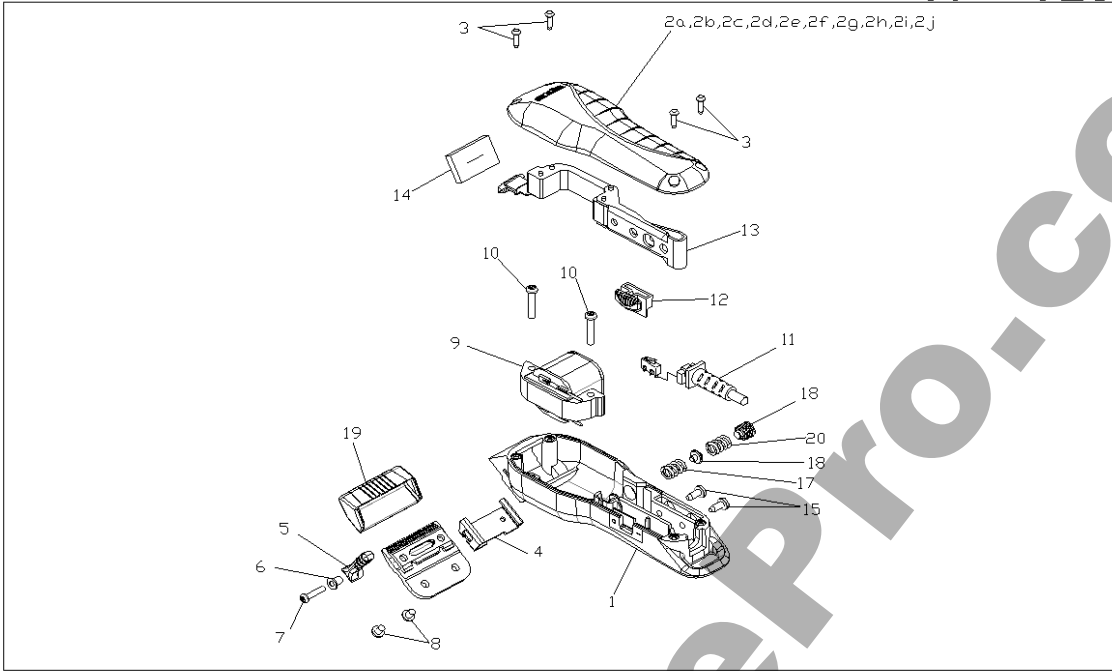




SERVICE PARTS LIST
 MODEL US-1 CLIPPER
 120 VOLT



ITEM NO.	PART NO.	DESCRIPTION	QTY. REQ'D
1	S200279	Lower Housing	1
2		Upper Housing	
2a	66393	Upper Housing - Blue (Maven)	1
2b	66189	Upper Housing - Red (envy)	1
2c	66249	Upper Housing - Gold (Fade)	1
2d	66278	Upper Housing - Vlack (envy)	1
2e	22684	Upper Housing - Metallic Black (Exp.)	1
2f	66269	Upper Housing - Met. Red (TackMate)	1
2g	66289	Upper Housing - Black (EasyClip)	1
2h	66309	Upper Housing - Gray (Barber Combo)	1
2i	66318	Upper Housing - Black (TackMate)	1
2j	66343	Upper Housing - Chrome	1
3	66174	Housing Screw	4
4	66303	Blade Bracket	1
5	66122	Lever Arm	1
6	66111	Lever Arm Brushing	1
7	66107	Lever Arm Screw	1
8	66319	Blade Screw	2
9	S200278	Field Assembly with terminal	1
10	66109	Field Screw	2
11	200286	Cord with Switch	1
12	66346	Switch Button	1
13	S66127	Armature Assembly	1
14	66131	Hair Guard	1

ITEM NO.	PART NO.	DESCRIPTION	QTY. REQ'D
15	66394	Armature Mounting Screw	2
16	66114	Power Screw	1
17	66108	Power Spring	1
18	66116	Spring Pad	1
19	75296	Blade Guard	1
20	66302	Power Spring - Red	1

IMPORTANT INFORMATION

When ordering repair parts, include part number, part name and model of trimmer. For best performance, trimmer blades should be CLEANED and OILED with Andis Clipper Oil before and after use. If repair is necessary, return to any Andis Authorized Repair Service Station, or to Andis Company, 1800 Renaissance Blvd., Sturtevant, Wisconsin, 53177 U.S.A.. Pack carefully, mail either Insured Parcel Post, or U.P.S. , attach a letter to outside of package explaining difficulty.