

USE ONLY GENUINE OSTER PARTS  
USE OF WRONG PARTS MAY BE HAZARDOUS.

| NEW MODELS ADDED ⇨ FIRST ISSUE | COLUMN #: |  |  |  |  |  |  |  |  |  |  |  |
|--------------------------------|-----------|--|--|--|--|--|--|--|--|--|--|--|
| 76066-010-000                  |           |  |  |  |  |  |  |  |  |  |  |  |
| 76066-710-000                  |           |  |  |  |  |  |  |  |  |  |  |  |
| 76066-310-000                  |           |  |  |  |  |  |  |  |  |  |  |  |
|                                |           |  |  |  |  |  |  |  |  |  |  |  |
|                                |           |  |  |  |  |  |  |  |  |  |  |  |
|                                |           |  |  |  |  |  |  |  |  |  |  |  |

|              |          |
|--------------|----------|
| INSTRUCTIONS | COL. NO. |
| 76066        |          |

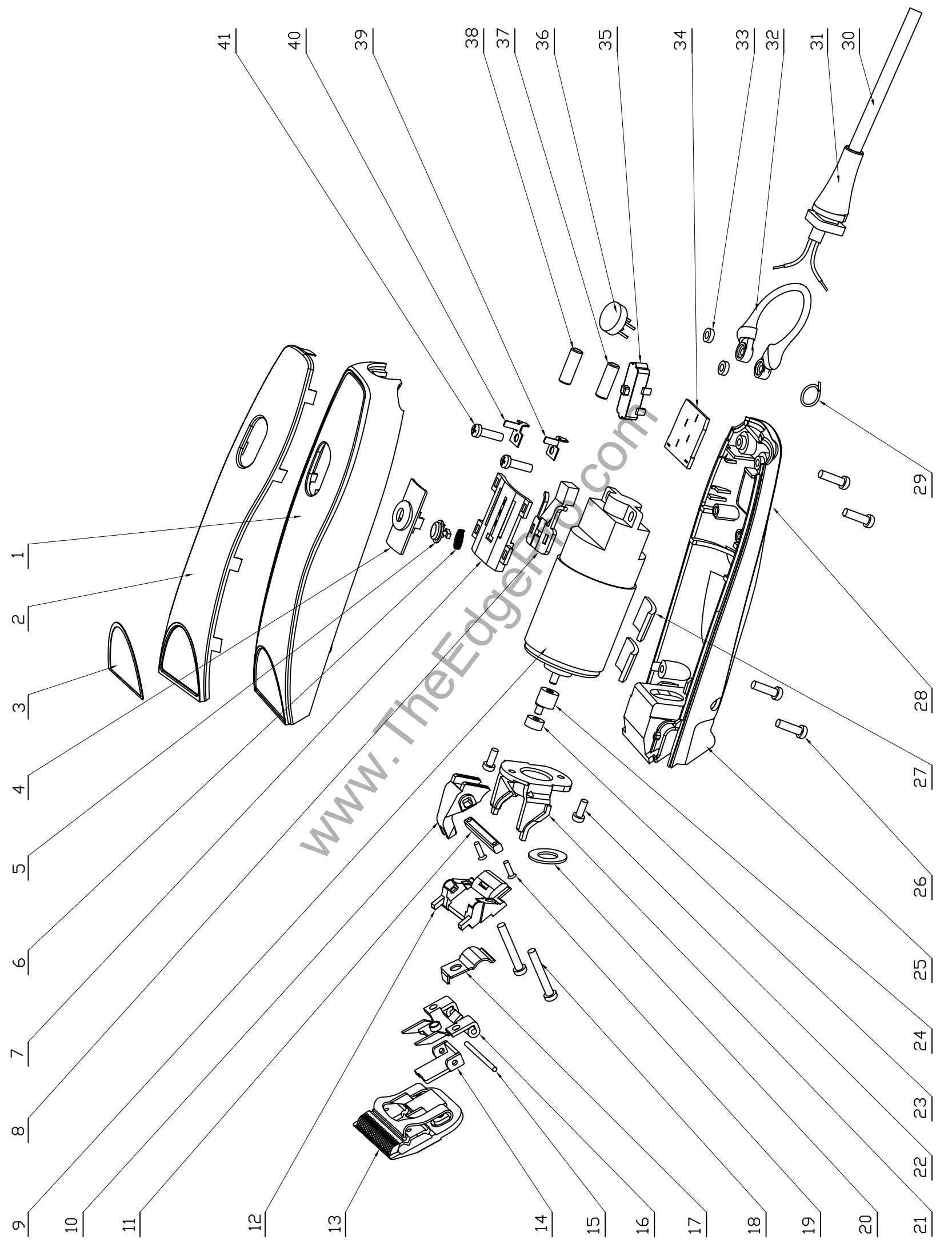
| MODEL OR SERVICE NO. COLUMN | 1 | 2 | 3 | 4 | 5 | 6 | 7 | 8 | 9 | 10 | 11 |
|-----------------------------|---|---|---|---|---|---|---|---|---|----|----|
|-----------------------------|---|---|---|---|---|---|---|---|---|----|----|

| INDEX NO. | PART NUMBER      | * WAS PART NO. | DESCRIPTION        | Basic Parts | QUANTITY REQUIRED |           |           |  |  |  |  |  |  |  |  |  |  |  |
|-----------|------------------|----------------|--------------------|-------------|-------------------|-----------|-----------|--|--|--|--|--|--|--|--|--|--|--|
|           |                  |                |                    |             | 76066-010         | 76066-710 | 76066-310 |  |  |  |  |  |  |  |  |  |  |  |
| 1         | * 124825-000-000 |                | UPPER HSG.         | 1           |                   |           |           |  |  |  |  |  |  |  |  |  |  |  |
| 2         | INCLUDED W/#1    |                | UPPER METAL        | 1           |                   |           |           |  |  |  |  |  |  |  |  |  |  |  |
| 3         |                  |                | NAME PLATE         | 1           |                   |           |           |  |  |  |  |  |  |  |  |  |  |  |
| 4         | 124824-000-000   |                | BUTTON OUT         | 1           |                   |           |           |  |  |  |  |  |  |  |  |  |  |  |
| 5         |                  |                | BUTTON LOCK        | 1           |                   |           |           |  |  |  |  |  |  |  |  |  |  |  |
| 6         |                  |                | BUTTON SPRING      | 1           |                   |           |           |  |  |  |  |  |  |  |  |  |  |  |
| 7         |                  |                | BUTTON HOLDER      | 1           |                   |           |           |  |  |  |  |  |  |  |  |  |  |  |
| 8         |                  |                | BUTTON CONNECT     | 1           |                   |           |           |  |  |  |  |  |  |  |  |  |  |  |
| 9         | 124822-000-000   |                | MOTOR              | 1           |                   |           |           |  |  |  |  |  |  |  |  |  |  |  |
| 10        |                  |                | DRIVE COUPLE       | 1           |                   |           |           |  |  |  |  |  |  |  |  |  |  |  |
| 11        |                  |                | DRIVE ROD          | 1           |                   |           |           |  |  |  |  |  |  |  |  |  |  |  |
| 12        |                  |                | FRONT COVER        | 1           |                   |           |           |  |  |  |  |  |  |  |  |  |  |  |
| 13        |                  |                | BLADE ASSEMBLY     | 1           |                   |           |           |  |  |  |  |  |  |  |  |  |  |  |
| 14        |                  |                | TONGUE             | 1           |                   |           |           |  |  |  |  |  |  |  |  |  |  |  |
| 15        |                  |                | PIN                | 1           |                   |           |           |  |  |  |  |  |  |  |  |  |  |  |
| 16        |                  |                | PLATE MOUNTING     | 1           |                   |           |           |  |  |  |  |  |  |  |  |  |  |  |
| 17        |                  |                | SPRING LEAF        | 1           |                   |           |           |  |  |  |  |  |  |  |  |  |  |  |
| 18        |                  |                | SCREW              | 2           |                   |           |           |  |  |  |  |  |  |  |  |  |  |  |
| 19        |                  |                | SCREW              | 2           |                   |           |           |  |  |  |  |  |  |  |  |  |  |  |
| 20        |                  |                | MOTOR FOAM         | 1           |                   |           |           |  |  |  |  |  |  |  |  |  |  |  |
| 21        |                  |                | MOTOR HOLDER       | 1           |                   |           |           |  |  |  |  |  |  |  |  |  |  |  |
| 22        |                  |                | SCREW              | 2           |                   |           |           |  |  |  |  |  |  |  |  |  |  |  |
| 23        |                  |                | BEARING            | 1           |                   |           |           |  |  |  |  |  |  |  |  |  |  |  |
| 24        |                  |                | ECCENTRIC          | 1           |                   |           |           |  |  |  |  |  |  |  |  |  |  |  |
| 25        |                  |                | LOWER HSG.         | 1           |                   |           |           |  |  |  |  |  |  |  |  |  |  |  |
| 26        |                  |                | SCREW              | 4           |                   |           |           |  |  |  |  |  |  |  |  |  |  |  |
| 27        |                  |                | MOTOR SPONGE       | 4           |                   |           |           |  |  |  |  |  |  |  |  |  |  |  |
| 28        |                  |                | RATING LABEL       | 1           |                   |           |           |  |  |  |  |  |  |  |  |  |  |  |
| 29        |                  |                | CABLE TIE          | 1           |                   |           |           |  |  |  |  |  |  |  |  |  |  |  |
| 30        | 120750-000-000   |                | POWER CORD         |             | 1                 |           |           |  |  |  |  |  |  |  |  |  |  |  |
| 30        | 120752-000-000   |                | POWER CORD         |             |                   | 1         |           |  |  |  |  |  |  |  |  |  |  |  |
| 30        | 120754-000-000   |                | POWER CORD         |             |                   |           | 1         |  |  |  |  |  |  |  |  |  |  |  |
| 31        | INCLUDED W/#30   |                | STRAIN RELIEF      | 1           |                   |           |           |  |  |  |  |  |  |  |  |  |  |  |
| 32        |                  |                | HOOK               | 1           |                   |           |           |  |  |  |  |  |  |  |  |  |  |  |
| 33        |                  |                | RUBBER WASHER      | 2           |                   |           |           |  |  |  |  |  |  |  |  |  |  |  |
| 34        | 124416-000-000   |                | PCB BOARD          | 1           |                   |           |           |  |  |  |  |  |  |  |  |  |  |  |
| 35        |                  |                | SWITCH             | 1           |                   |           |           |  |  |  |  |  |  |  |  |  |  |  |
| 36        |                  |                | RECTIFIER BRIDGE   | 1           |                   |           |           |  |  |  |  |  |  |  |  |  |  |  |
| 37        |                  |                | RESISTANCE         | 1           |                   |           |           |  |  |  |  |  |  |  |  |  |  |  |
| 38        |                  |                | RESISTANCE         | 1           |                   |           |           |  |  |  |  |  |  |  |  |  |  |  |
| 39        |                  |                | PLATE (LEFT)       | 1           |                   |           |           |  |  |  |  |  |  |  |  |  |  |  |
| 40        |                  |                | PLATE (RIGHT)      | 1           |                   |           |           |  |  |  |  |  |  |  |  |  |  |  |
| 41        |                  |                | SCREW              | 2           |                   |           |           |  |  |  |  |  |  |  |  |  |  |  |
| -         | 120749-000-000   |                | DRIVE TIP ASSEMBLY |             | 1                 |           |           |  |  |  |  |  |  |  |  |  |  |  |
| -         | 120751-000-000   |                | DRIVE TIP ASSEMBLY |             |                   | 1         |           |  |  |  |  |  |  |  |  |  |  |  |
| -         | 120753-000-000   |                | DRIVE TIP ASSEMBLY |             |                   |           | 1         |  |  |  |  |  |  |  |  |  |  |  |

\*Note – When ordering 1 of 124825 you must order 1 of 125187 as these are assembled with screws, bale, switch button, and Oster label.

MANUAL: \_\_\_\_\_  
SECTION: \_\_\_\_\_

CONTINUED ON REVERSE SIDE



1

2

3

4

5

6

7

8

9

10

11

12

13

14

15

16

17

18

19

20

21

41

40

39

38

37

36

35

34

33

32

31

30

29

28

27

26

25

24

23

22