



INSTRUCTIONS	COL. NO.
138510	1

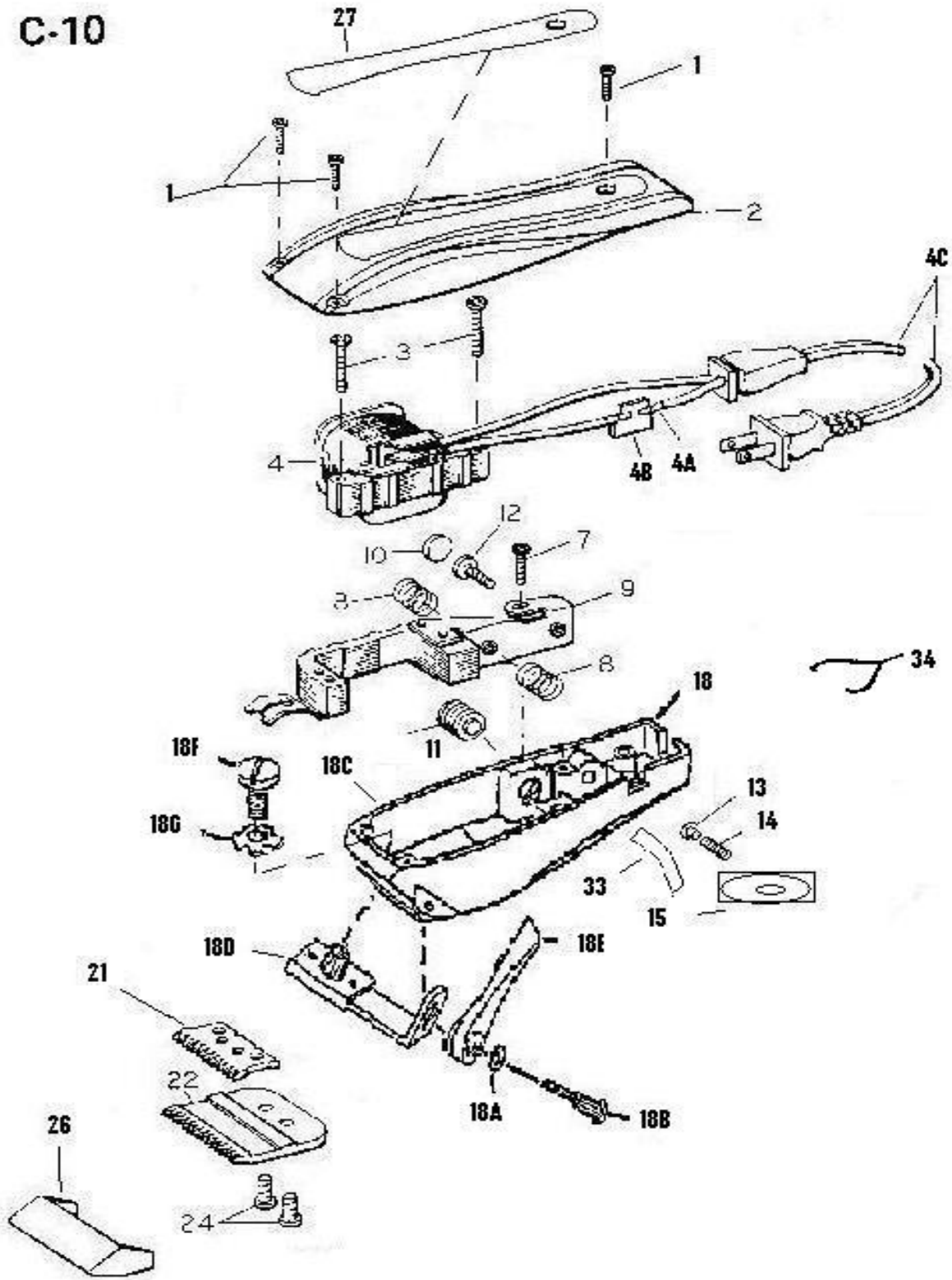
NEW MODELS ADDED ⇌ FIRST ISSUE	Oct-10 COLUMN #:											
120V 60 HZ	X	X	X									
MODEL OR SERVICE NO. COLUMN →	1	2	3	4	5	6	7	8	9	10	11	

INDEX NO.	PART NUMBER	* WAS PART NO.	DESCRIPTION	Basic Parts	QUANTITY REQUIRED																
					80-01A	80-31A	80-71A														
1	042113-000-000		SCREW - #4-24 X 1/2	3																	
2	143676-010-000		HOUSING - UPPER ELEC		1																
2	143665-010-000		HOUSING - UPPER CHAR				1														
2	143672-010-000		HOUSING - UPPER BLK			1															
3	042114-030-000		SCREW - #6-20 X 13/16	2																	
4	045552-020-000		FIELD & CORD ASSEMBLY	1																	
4A	046660-000-000		SOLDERLESS LUG	2																	
4B	042835-000-000		SWITCH BASE	1																	
4C	143670-000-000		CORDSET	1																	
7	042114-020-000		SCREW - #6-20 X 1/2	1																	
8	042525-000-000		SPRING - ARMATURE	2																	
9	042578-100-000		ARMATURE ASSEMBLY	1																	
10	042533-000-000		PLUG	1																	
11	059170-000-000		SCREW - 7/16-20 - SPECIAL	1																	
12	042579-000-000		SCREW - #8-32 X 1/2	1																	
13	042523-000-000		DETENT	1																	
14	042524-000-000		SPRING - DETENT	1																	
15	143669-000-000		SWITCH ACTUATOR BLK	1																	
18	143674-020-000		HOUSING LOWER - ASSY ELEC		1																
18	143674-010-000		HOUSING LOWER - ASSY CHAR				1														
18	143674-000-000		HOUSING LOWER - ASSY BLK			1															
18A	042683-000-000		WASHER	1																	
18B	058944-000-000		SHOULDER SCREW	1																	
18C	143666-130-000		LOWER-HSG-MACH-ELEC		1																
18C	143666-110-000		LOWER-HSG-MACH-CHAR				1														
18C	143666-120-000		LOWER-HSG-MACH-BLK			1															
18D	058933-000-000		MOUNTING PLATE	1																	
18E	139807-000-000		LEVER-BLK	1																	
18F	042838-000-000		GUIDE SCREW - #8-37 - SPECIAL	1																	
18G	042535-000-000		SPRING - GUIDE SCREW	1																	
21	042527-000-000		UPPER BLADE		1		1														
21	042527-500-000		UPPER BLADE				1														
22	058592-000-000		LOWER BLADE		1		1														
22	058592-500-000		LOWER BLADE				1														
24	042536-000-000		BLADE SCREW	2																	
26	045545-000-000		BLADE GUARD	1																	
27	143671-000-000		NAMEPLATE				1														
27	143675-000-000		NAMEPLATE		1																
27	143664-000-000		NAMEPLATE				1														
33	143668-020-000		DATA LABEL 80-01A		1																
33	143668-000-000		DATA LABEL 80-31A				1														
33	143668-010-000		DATA LABEL 80-71A					1													
34	045569-000-000		BALE	1																	

MANUAL: _____
SECTION: _____

CONTINUED ON REVERSE SIDE
PAGE: 44 B

C-10



NOTE 1: NUMBERS ON DRAWING ARE FOR INDEX ONLY. ORDER PARTS BY CORRECT PART NUMBER

NOTE 2: PARTS 4A-4C ARE INCLUDED IN PART #4

NOTE 3: PARTS 18A-18G ARE IN INCLUDED IN PART#18