



**PARTS LIST**

USE ONLY GENUINE OSTER PARTS  
USE OF WRONG PARTS MAY BE HAZARDOUS.

Rev 2014-05-19  
CS

CLIPPER



NEW MODELS ADDED → FIRST ISSUE 10/10			COLUMN #: 1 & 2											
120 VOLTS, 12 WATTS, 60 CYCLES			X	X	X									

INSTRUCTIONS 138495-000-000	COL. NO. 1 THRU 2
--------------------------------	----------------------

MODEL OR SERVICE NO. COLUMN → 1 2 3 4 5 6 7 8 9 10 11

INDEX NO.	PART NO.	* WAS PART NO.	DESCRIPTION	Basic Parts	QUANTITY REQUIRED																
					30-01A	30-31A	30-71A														
1	145096-000-000		NAMEPLATE			1	1														
1	144541-000-000		NAMEPLATE		1																
2	139804-000-000		UPPER HSG. - BLACK				1	1													
2	139804-000-000		UPPER HSG. - ELE SLVR		1																
3	139806-000-000		SWITCH ACTUATOR		1																
4	042114-020-000		SCREW-#6-32 X 1/2-SELF-TAP		6																
5	042508-000-000		RIVET		1																
6	045545-000-000		BLADE GUARD - LARGE		1																
9	041874-000-000		FIELD & PLATE ASSY.		1																
10	041890-000-000		CORD & PLUG ASSY.		1																
11	055405-000-000		ARMATURE SPRING		2																
13	042806-000-000		ARMATURE ASSY.		1																
14	042800-000-000		HAIR GUARD		1																
16	042113-000-000		SCREW-#4-40 X 1/4		4																
17	139801-010-000		LOWER HSG. BLK				1	1													
17	139801-211-000		LOWER HSG. SLVR			1															
18	041859-000-000		LEADWIRE-INCLS. INDEX #45		1																
21	046655-005-000		TENSION SPRING ASSY.-INCLS. #22		1																
22	042642-000-000		BLADE GUIDE		1																
23	109288-000-000		CREW, 4-40THD, 3/16 LG																		
24	042637-000-000		CARRIAGE-SEE NOTE 1		1																
26	042647-000-000		SCREW-#4-40 X 7/16		1																
27	042683-000-000		WASHER		1																
28	139807-000-000		LEVER-DRIVER-SEE NOTE 1		1																
29	045555-000-000		SPRING (CARRIAGE)		1																
30	059201-000-000		UPPER BLADE		1																
31	055581-000-000		LOWER BLADE		1																
32	045529-000-000		SCREW-#6-32 X 3/16		2																
33	045569-000-000		BALE		1																
49	140593-060-000		DATA LABEL				1	1													
49	140593-030-000		DATA LABEL		1																

MANUAL: PROFESSIONAL PRODUCTS

CONTINUED ON REVERSE SIDE

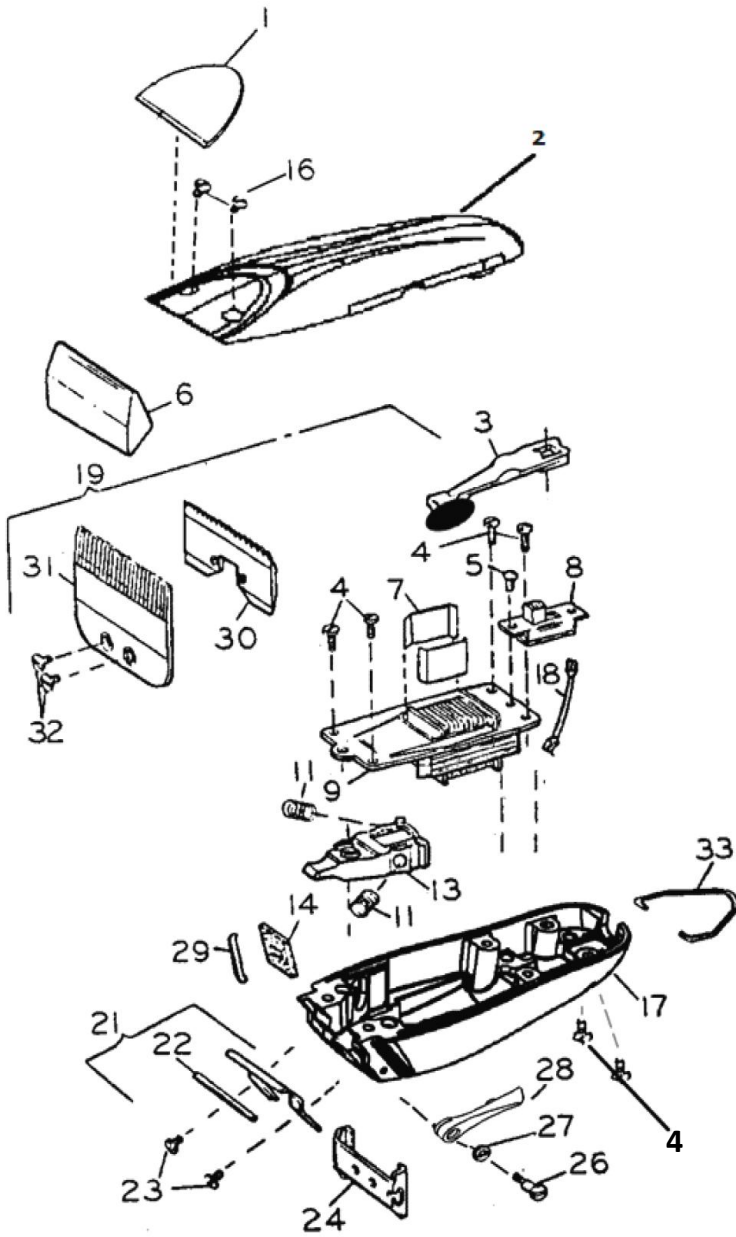
SECTION: CLIPPERS

PAGE: 13C

**Oster**  
Professional Products  
150 CADILLAC LANE  
McMINNVILLE, TN 37110

▲ NOTE 1:

IF REPLACING CARRIAGE, DRIVER, OR LEVER,  
SEE SERVICE BULLETIN SB-102 ON PAGE 2D.



CAUTION: Numbers shown are Diagram  
Index Numbers only. Order parts by correct  
Part Number.

