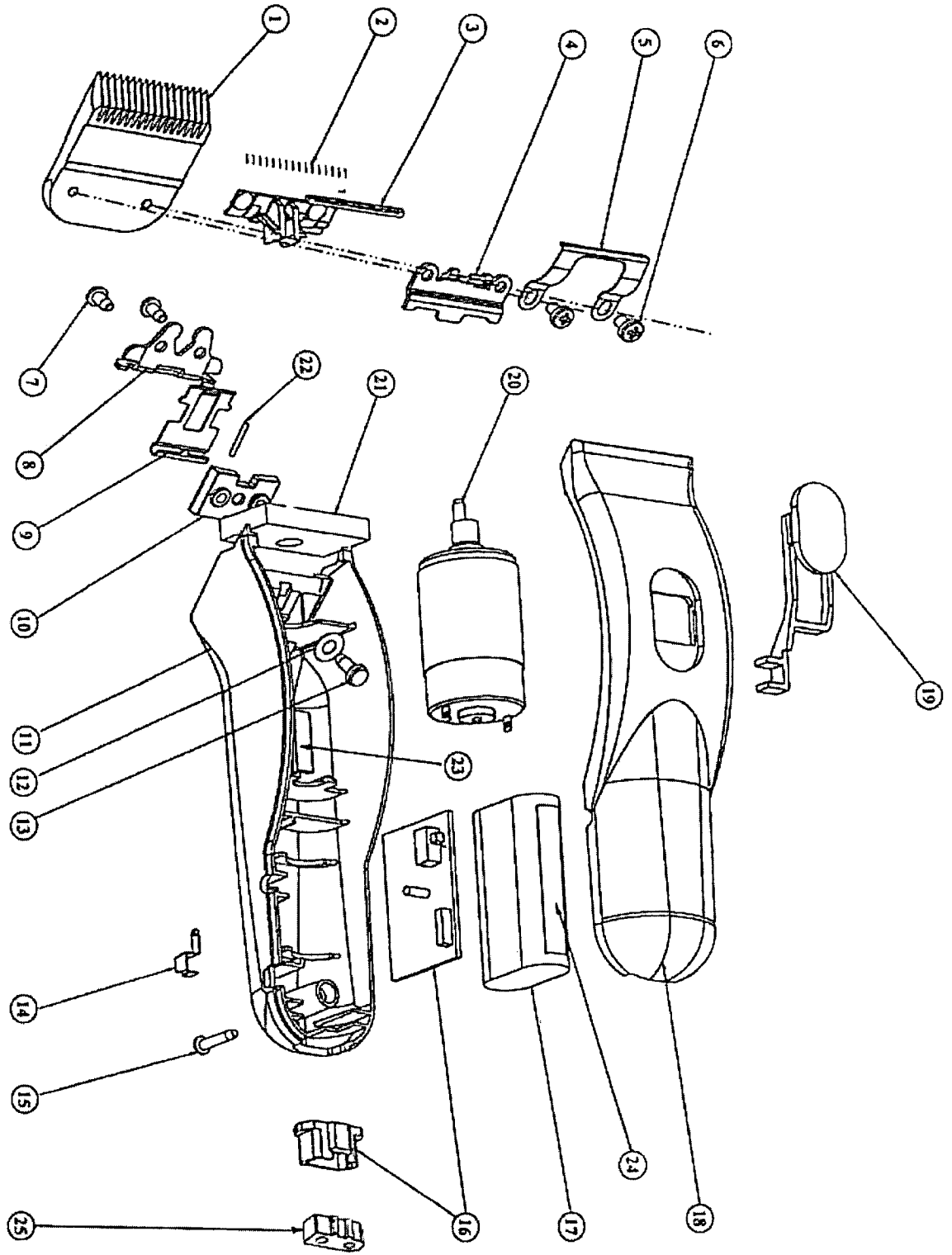


INSTRUCTIONS	COL. NO.
104107-000-000	1,3,5
104925-000-000	2,7,14
105124-000-000	4,6,12,13
105523-000-000	8,9,10,11

NEW MODELS ADDED ⇨ FIRST ISSUE	11/00	COLUMN #: 1,2,3,4,5,6,7,8,9,10,11,12,13,14																	
084761-001-000 CLIPPER ASSY, BLACK	X																		
084761-006-000 CLIPPER ASSY, GREEN		X																	
084761-001-033 CLIPPER ASSY, BLACK, AMS			X																
084761-001-050 CLIPPER ASSY, BLACK, EURP				X															
084761-001-013 CLIPPER ASSY, BLACK, MEX					X														
084761-001-054 CLIPPER ASSY, BLACK, ARG						X													
084761-001-060 CLIPPER ASSY, BLACK, UK																		X	
084761-001-070 CLIPPER ASSY, BLACK, AUS-NZ																			X
084761-006-013 CLIPPER ASSY, GREEN, MEX																			
084761-006-033 CLIPPER ASSY, GREEN, AMS										X									
084761-006-050 CLIPPER ASSY, GREEN, EURP											X								
084761-006-054 CLIPPER ASSY, GREEN, ARG												X							
084761-006-060 CLIPPER ASSY, GREEN, UK													X						
084761-006-070 CLIPPER ASSY, GREEN, AUS-NZ														X					
MODEL OR SERVICE NO. COLUMN																			

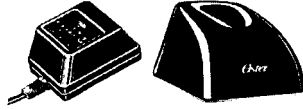
INDEX NO.	PART NUMBER	* WAS PART NO.	DESCRIPTION	Basic Parts	QUANTITY REQUIRED														
					076560-020-000	078660-020-000	076560-021-000	076560-520-050	076560-021-013	076560-520-054	078660-021-000	078660-022-050	078660-022-054	078660-022-060	078660-022-070	076560-520-060	076560-520-070	078660-021-013	
1			BLADE LOWER	1															
2			UPPER BLADE, ASY	1															
3	042629-000-000		GUIDE - BLADE	1															
4	084650-000-000		SOCKET, DETACHABLE	1															
5	042801-000-000		SPRING - BLADE	1															
6	See Note Below		SCREW - MS	2															
7	084862-000-000		SCREW #6X.32 SPECIAL	2															
8	084649-000-000		LATCH PLATE,DETACHABLE	1															
9	084652-000-000		RETAINER,BLADE	1															
10	084651-000-000		LATCH MOUNT,DETACHABLE	1															
11	084740-000-000		HSG,LWR,MLD		1		1	1	1	1	1						1	1	
11	084740-005-000		HSG,LWR,MLD			1					1	1	1	1	1				1
12	041895-000-000		LOCKWASHER-TOOTH	1															
13	042114-050-000		SCREW	1															
14	084648-000-000		TERMINAL	1															
15	042113-010-000		SCREW-BT	1															
16	084768-000-000		SWITCH ASSY	1															
17	048217-010-000		BATTERY ASSY	1															
18	104108-000-000		HSG, UPPER PAD PRINT		1		1	1	1	1							1	1	
18	104108-005-000		HSG, UPPER PAD PRINT			1					1	1	1	1	1				1
19	048211-002-000		ACTUATOR,SWITCH	1															
20	048216-005-000		MOTOR/ECCENTRIC ASSY	1															
21	084875-000-000		FOAM-HAIR GUARD	1															
22	042805-000-000		SPRING-COMPRESSION	1															
23	058439-000-000		PAD-FOAM	2															
24	042423-000-000		PAD-FOAM	1															
25	104854-000-000		PLUG END, SCULPTOR ANIMAL			1					1	1	1	1	1				1
	104141-000-000		LABEL-DATA/76560-020 SC		1														
	104141-005-000		LABEL-DATA/78660-020 SCULPT			1													
	105130-033-000		LABEL-DATA/76560-021-033				1												
	105130-050-000		LABEL-DATA/76560-520-050					1											
	105130-013-000		LABEL-DATA/SCULPTOR						1										
	105130-054-000		LABEL-DATA/76560-520-054 SC							1									
	105526-033-000		LABEL-DATA/EXPORT								1								
	105526-050-000		LABEL-DATA/78660-022-050									1							
	105526-054-000		LABEL-DATA/78660-220-054										1						
	105526-060-000		LABEL-DATA/78660-022-060											1					
	105526-070-000		LABEL-DATA/78660-022-070												1				
	105130-070-000		LABEL-DATA / SCULPTOR															1	
	105526-013-000		LABEL-DATA/76560-021-013 MEX																1
	105130-060-000		LABEL-DATA/76560-520-060														1		

NOTE: CHARGER STAND ASSY. COMPONENTS & POWER SUPPLY PART NUMBERS FOUND IN CHARGER STAND ASSEMBLY PARTS LIST. CLIPPERS ARE PACKAGED WITH BLADE SETS FOR ANIMAL OR HUMAN USE. USE OF ITEM #6 SCREW-MS WILL DEPEND UPON LOWER BLADE THICKNESS.





PARTS LIST
CHARGER STAND ASSEMBLY



INSTRUCTIONS	COL. NO.
104107-000-000	1,3,5
104925-000-000	2,7,14
105124-000-000	4,6,12,13
105523-000-000	8,9,10,11
106632-000-000	3 thru 14

USE ONLY GENUINE OSTER PARTS
USE OF WRONG PARTS MAY BE HAZARDOUS.

M-8004
REVISED: 1/16/01

NEW MODELS ADDED	FIRST ISSUE	11/00	COLUMN #: 1,2,3,4,5,6,7,8,9,10,11,12,13,14																
059774-055-000 CHARGER STAND, 926-07A		X	X																
059774-056-000 CHARGER STAND, 926-07A			X					X											
059774-055-050 CHARGER STAND, 926-07A, Global				X															
059774-055-013 CHARGER STAND, 926-07A, MEX					X														
059774-055-054 CHARGER STAND, 926-07A, Global						X													
059774-056-050 CHARGER STAND, 926-07A, Global									X										
059774-056-054 CHARGER STAND, 926-07A, Global										X									
059774-056-060 CHARGER STAND, 926-07A, Global											X								
059774-056-070 CHARGER STAND, 926-07A, Global												X							
059774-055-060 CHARGER STAND, 926-07A, Global														X					
059774-055-070 CHARGER STAND, 926-07A, Global																		X	
059774-056-013 CHARGER STAND, 926-07A, Global																			X

INDEX NO.	PART NUMBER	* WAS PART NO.	DESCRIPTION	Basic Parts	MODEL OR SERVICE NO. COLUMN															
					1	2	3	4	5	6	7	8	9	10	11	12	13	14		
					QUANTITY REQUIRED															
26	084702-000-000		CONTACT ARM, SIDE	1																
27	084749-000-000		#76500 PCB ASSY	1																
28	048601-001-000		HSG-BASE	1																
29	058217-000-000		SCREW-SP	3																
30	055387-000-000		FOOT-RUBBER	4																
31	084924-000-000		TERMINAL ASSY	1																
32	084700-000-000		CONTACT ARM, SHORT	1																
33	104109-000-000		HSG, UPPER PAD PRINT	1																
34	084771-000-000		LABEL-DATA / 926-07A		1	1	1				1									
34	105129-050-000		LABEL-DATA / 926-07A EUROPE					1				1								
34	105129-013-000		LABEL-DATA / 926-07A GLOBAL						1											1
34	105129-054-000		LABEL-DATA / 926-07A ARG							1			1							
34	105129-060-000		LABEL-DATA / 926-07A UK											1					1	
34	105129-070-000		LABEL-DATA / UK													1				1
	105641-000-000		LABEL, INSTRUCTION, CHARGING	1																
	106632-000-000		INSTRUCTIONS - BATTERY																	
	085041-000-000		POWER SUPPLY		1	1	1	1	1	1	1	1	1	1	1	1	1	1	1	1
	085041-050-000		POWER SUPPLY				1					1								
	085041-013-000		POWER SUPPLY					1												1
	085041-054-000		POWER SUPPLY						1				1							
	085041-060-000		POWER SUPPLY											1					1	
	085041-070-000		POWER SUPPLY												1					1

